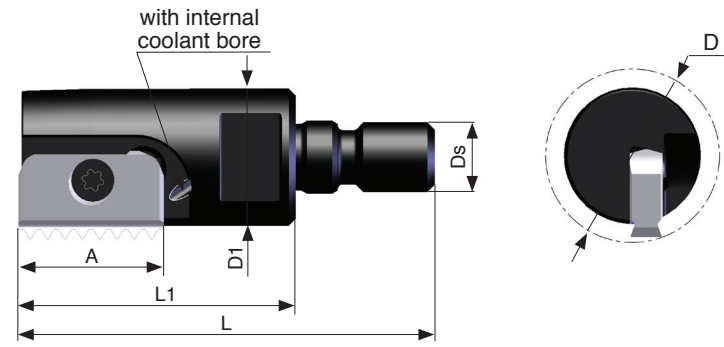
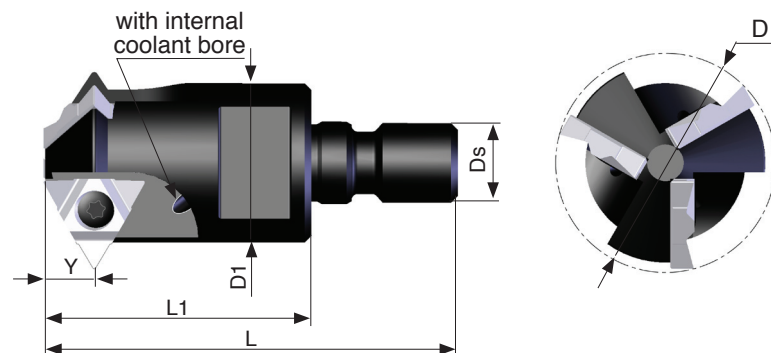


Toolholders

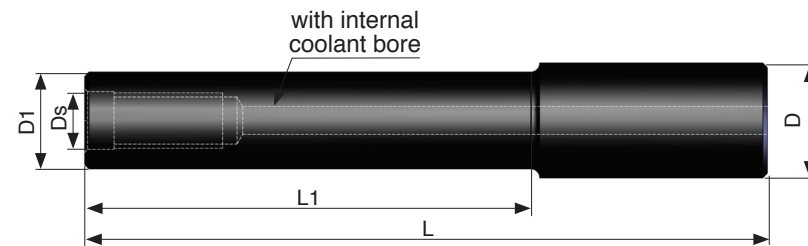


Ordering Code	Insert size A	D	D1	Ds	L1	L	No. of Inserts	Screw	Key
SR0980D21 - 1 S	21	.98	.78	M10	1.57	2.36	1	S21	K21



Ordering Code	Insert size		Y	D	D1	Ds	L1	L	No. of Inserts	Screw	Key
	L	I.C.									
SR1300D16U - 3 S	16U	3/8U	.30	1.30	.94	M12	1.57	2.44	3	S16S	K16

Extensions



Ordering Code	D	D1	Ds	L	L1
E.625 M08 L3.15	.625	.59	M08	3.15	1.18
E.75 M10 L3.15	.75	.71	M10	3.15	1.18
E.75 M10 L5.0	.75	.71	M10	5.0	3.15
E1 M12 L4.0	1.0	.83	M12	4.0	2.0
E1 M12 L6.0	1.0	.83	M12	6.0	4.0



Carmex
Precision Tools Ltd.
x-treme thread cutting™

Carmex Precision Tools LLC
2075 Hwy 175, Richfield, WI 53076
Phone: 888 628-5030, Fax: 888 628-5302.
E-mail: sales@carmexusa.com Website: www.carmexusa.com



New

Deep Reach Mill-Thread



© Copyright CARMEX Precision Tools Ltd. 2014

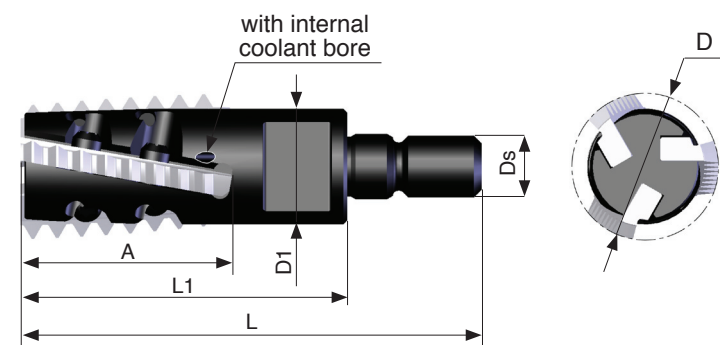
CARMEX DEEP REACH MT NEWS INCH 01/2014

Inch

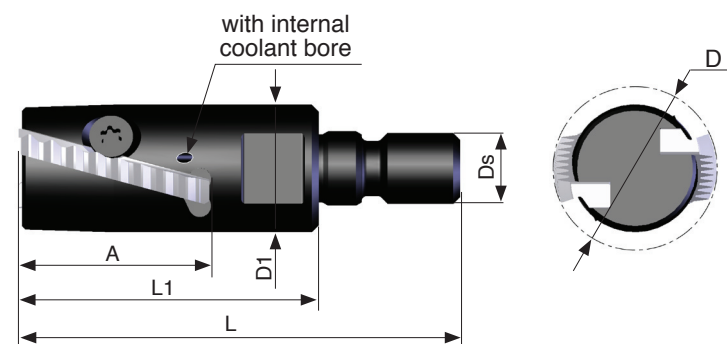
Carmex Precision Tools Ltd. presents the new members of the Mill-Thread Product Line.

- Toolholders and extensions are compatible with common toolholding systems.
- Toolholders and extensions feature internal coolant bore.
- The 2-piece design with easy screw connection allows for long overhang.
- Toolholders accept standard Carmex thread milling inserts.
- Variety of steel extensions are available.

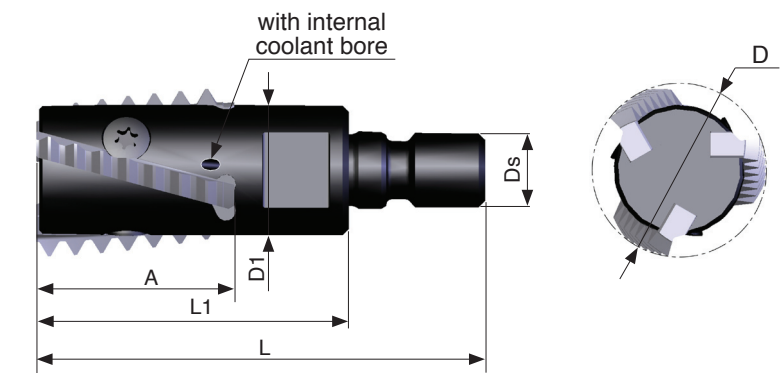
Toolholders



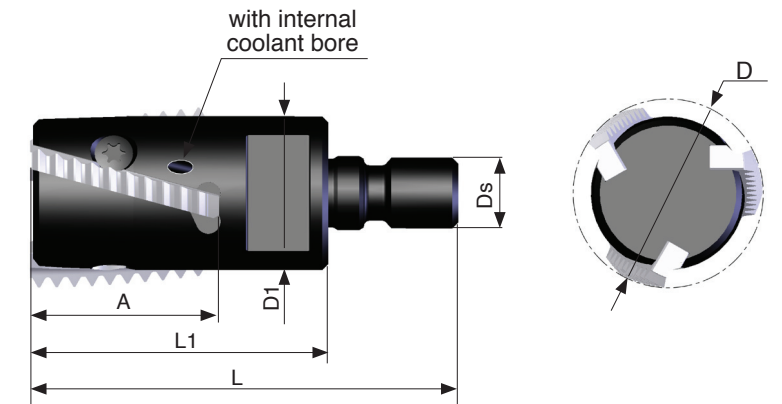
Ordering Code	Insert size A	D	D1	Ds	L1	L	No. of Inserts	Screw	Key
SR075H19 - 3 S	1.06	.75	.59	M8	1.67	2.36	3	S19	K16



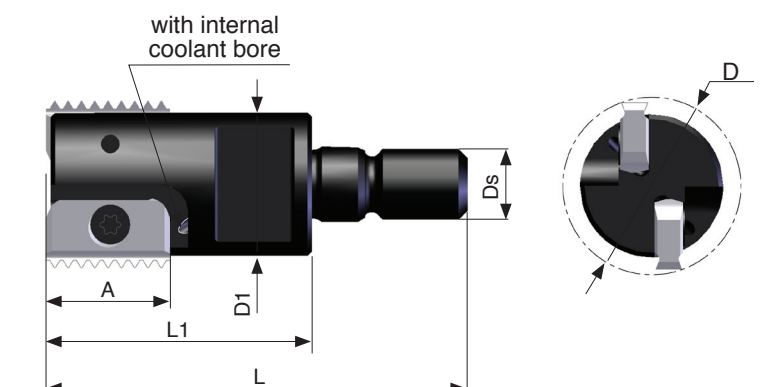
Ordering Code	Insert size A	D	D1	Ds	L1	L	No. of Inserts	Screw	Key
SR091H23 - 2 S	1.06	.91	.71	M10	1.67	2.46	2	S23	K16



Ordering Code	Insert size A	D	D1	Ds	L1	L	No. of Inserts	Screw	Key
SR110H28 - 3 S	1.26	1.10	.83	M12	1.97	2.83	3	S28	K16



Ordering Code	Insert size A	D	D1	Ds	L1	L	No. of Inserts	Screw	Key
SR126H32 - 3 S	1.26	1.26	1.02	M12	1.97	2.83	3	S32S	K16



Ordering Code	Insert size A	D	D1	Ds	L1	L	No. of Inserts	Screw	Key
SR0790C14 - 2 S	.55	.79	.63	M8	1.20	1.89	2	S14	K14